

WALL LIGHT | YVES NICKEL

WALL LIGHT

Material: Metal
Finish shown: Nickel
Code: WL-YVES-PLNL

LAMPSHADE AS SHOWN

10" Crescent Gilt Satin
Shade code: SH-10-CRES
Shade lining: White PVC

SWITCHING, PLUG & VOLTAGE

Hardwired (no switch) 110-120V 50-60Hz

WEIGHT

1.3lbs approx

LAMPING

1 x E12 Lampholder - 25W max. LED bulb recommended.

FIXING NOTE

It is the buyer's responsibility to ensure that suitable fixings are used.

WARRANTY

12 Months

FINISHING NOTE

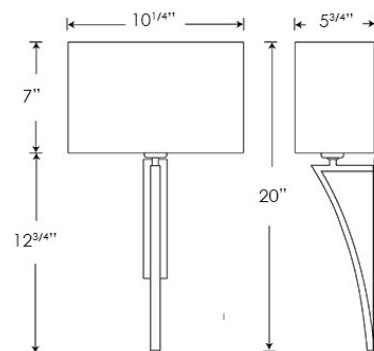
All metalwork is handcrafted and may vary from piece to piece with slight variation in finish and detailing.

CLEANING INSTRUCTIONS

The finishes on this luminaire only require regular cleaning with a soft dry duster. Abrasive or chemical cleaners may harm the finish and should not be used. Shade to be dusted with a clean dry cloth.

OUR U.S. COLLECTION

This product is wired using UL listed components and is fully compliant with UL regulations.



Dimensions in Inches and approximate

H&CO

Decorative lighting
for beautiful spaces

www.heathfield.co.uk | + 44 (0) 1732 350450 | sales@heathfield.co.uk

Unit 1, Priory Road, Tonbridge, Kent, TN9 2AF, United Kingdom