

## WALL LIGHT | YVES BRONZE

### WALL LIGHT

Material: Metal  
Finish shown: Bronze  
Code: WL-YVES-DBNZ

### LAMPSHADE AS SHOWN

10" Crescent Ivory Satin  
Shade code: SH-10-CRES  
Shade lining: White PVC

### SWITCHING, PLUG & VOLTAGE

Hardwired (no switch) 110-120V 50-60Hz

### WEIGHT

1.3lbs approx

### LAMPING

1 x E12 Lampholder - 25W max. LED bulb recommended.

### FIXING NOTE

It is the buyer's responsibility to ensure that suitable fixings are used.

### WARRANTY

12 Months

### FINISHING NOTE

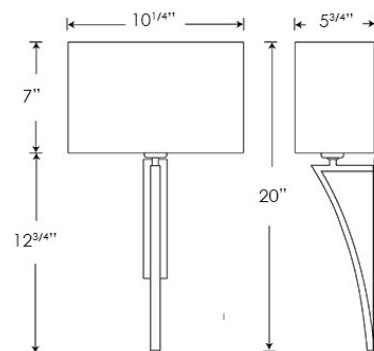
All metalwork is handcrafted and may vary from piece to piece with slight variation in finish and detailing.

### CLEANING INSTRUCTIONS

The finishes on this luminaire only require regular cleaning with a soft dry duster. Abrasive or chemical cleaners may harm the finish and should not be used. Shade to be dusted with a clean dry cloth.

### OUR U.S. COLLECTION

This product is wired using UL listed components and is fully compliant with UL regulations.



Dimensions in Inches and approximate

# H&CO

Decorative lighting  
for beautiful spaces

[www.heathfield.co.uk](http://www.heathfield.co.uk) | + 44 (0) 1732 350450 | [sales@heathfield.co.uk](mailto:sales@heathfield.co.uk)

Unit 1, Priory Road, Tonbridge, Kent, TN9 2AF, United Kingdom