

## TABLE LAMP | ORION STEEL

### LAMP BASE

Material: Glass  
 Finish shown: Steel  
 Metalwork: Antique Brass  
 Code: TL-ORIO-ABRS-STEE

### LAMPSHADE AS SHOWN

14" Flat Drum Sandstone Glaze Linen  
 Shade code: SH-14-FLDR  
 Shade lining: Prosecco PVC

### FLEX

1.5 metres of Ivory twisted flex.

### SWITCHING, PLUG & VOLTAGE

UL polarized Type A plug & inline on/off switch. 110-120V 50-60Hz.

### WEIGHT

3.3lbs approx

### LAMPING

1 x E26 Lampholder - 60W max. LED bulb recommended.

### WARRANTY

12 months

### FINISHING NOTE

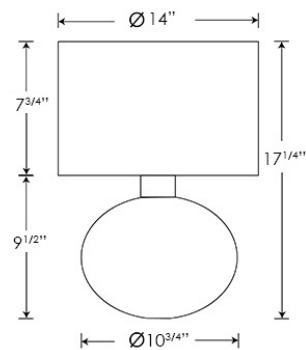
All our glasswork is hand blown and will vary from piece to piece - variations in form and proportion. Colour formation, pattern and finishing details are unique to each lamp and it is part of the charm that no two products are exactly the same.

### CLEANING INSTRUCTIONS

The finishes on this luminaire only require regular cleaning with a soft dry duster. Abrasive or chemical cleaners may harm the finish and should not be used. Shade to be dusted with a clean dry cloth.

### OUR U.S. COLLECTION

This product is wired using UL listed components and is fully compliant with UL regulations.



Dimensions in Inches and approximate

# H&CO

Decorative lighting  
 for beautiful spaces

[www.heathfield.co.uk](http://www.heathfield.co.uk) | + 44 (0) 1732 350450 | [sales@heathfield.co.uk](mailto:sales@heathfield.co.uk)

Unit 1, Priory Road, Tonbridge, Kent, TN9 2AF, United Kingdom