

HEATHFIELD & CO

PRODUCT SPECIFICATION SHEET

TABLE LAMP | NURI

LAMP BASE

Material: Ceramic
Finish shown: White
Metalwork: Satin Brass
Code: TL-NURI-SBRS-WHTE

LAMPSHADE AS SHOWN

16" coolie sandstone linen
Shade code: SH-16-COOL
Shade lining: Prosecco PVC

FLEX

1.5 metres of Ivory twisted flex.

SWITCHING & PLUG

White 13 AMP UK plug & inline switch.

BASE WEIGHT

2 kg approx.

LAMPING

1 x E27 Lampholder - 60W max. LED bulb recommended.

WARRANTY

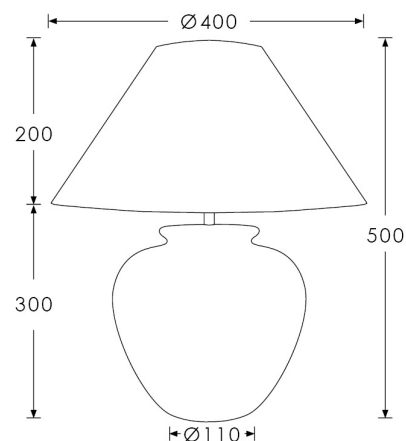
12 Months

FINISHING NOTE

The ceramic glazes that we have used on this lamp will create differences from piece to piece - variations in colour, formation and detailing. As such, it is part of the charm that no two products are exactly the same.

CLEANING INSTRUCTIONS

The finishes on this luminaire only require regular cleaning with a soft dry duster. Abrasive or chemical cleaners may harm the finish and should not be used. Shade to be dusted with a clean dry cloth.



Dimensions in mm and approximate

H&CO

Decorative lighting
for beautiful spaces

www.heathfield.co.uk | + 44 (0) 1732 350450 | sales@heathfield.co.uk

Unit 1, Priory Road, Tonbridge, Kent, TN9 2AF, United Kingdom