

PENDANT | LUNAR SPECKLE SHORT

PENDANT

Material: Glass & Metal
Finish shown: Speckle
Metalwork: Antique Brass
Code: PD-LUNA-ABRS-SPEC-00S

FLEX

Black twisted flex.

SWITCHING, PLUG & VOLTAGE

Hardwired (no switch) 110-120V 50-60Hz

WEIGHT

4.8 lbs approx

LAMPING

1 x E26 Lampholder - 40W max. LED bulb recommended.

FIXING NOTE

It is the buyer's responsibility to ensure that suitable fixings are used.

WARRANTY

12 Months

FINISHING NOTE

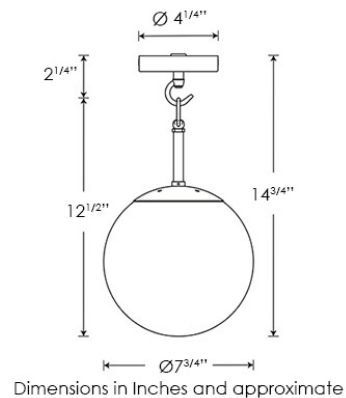
All our glasswork is hand blown and will vary from piece to piece - variations in form and proportion. Colour formation, pattern and finishing details are unique to each lamp and it is part of the charm that no two products are exactly the same.

CLEANING INSTRUCTIONS

The finishes on this luminaire only require regular cleaning with a soft dry duster. Abrasive or chemical cleaners may harm the finish and should not be used. Shade to be dusted with a clean dry cloth.

OUR U.S. COLLECTION

This product is wired using UL listed components and is fully compliant with UL regulations.



H&CO

Decorative lighting
for beautiful spaces

www.heathfield.co.uk | + 44 (0) 1732 350450 | sales@heathfield.co.uk

Unit 1, Priory Road, Tonbridge, Kent, TN9 2AF, United Kingdom