

## PENDANT | LUNAR BLANC SHORT

### PENDANT

Material: Glass & Metal  
 Finish shown: Blanc  
 Metalwork: Antique Brass  
 Code: PD-LUNA-ABRS-BLAN-00S

### FLEX

Black twisted flex.

### SWITCHING, PLUG & VOLTAGE

Hardwired (no switch) 110-120V 50-60Hz

### WEIGHT

4.8 lbs approx

### LAMPING

1 x E26 Lampholder - 40W max. LED bulb recommended.

### FIXING NOTE

It is the buyer's responsibility to ensure that suitable fixings are used.

### WARRANTY

12 Months

### FINISHING NOTE

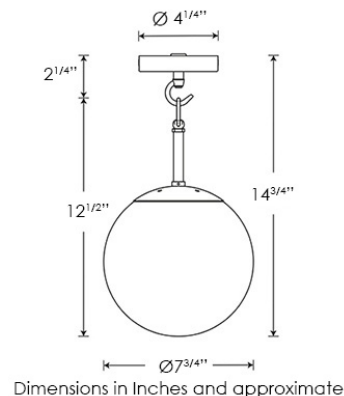
All our glasswork is hand blown and will vary from piece to piece - variations in form and proportion. Colour formation, pattern and finishing details are unique to each lamp and it is part of the charm that no two products are exactly the same.

### CLEANING INSTRUCTIONS

The finishes on this luminaire only require regular cleaning with a soft dry duster. Abrasive or chemical cleaners may harm the finish and should not be used. Shade to be dusted with a clean dry cloth.

### OUR U.S. COLLECTION

This product is wired using UL listed components and is fully compliant with UL regulations.



# H&CO

Decorative lighting  
 for beautiful spaces

[www.heathfield.co.uk](http://www.heathfield.co.uk) | + 44 (0) 1732 350450 | [sales@heathfield.co.uk](mailto:sales@heathfield.co.uk)

Unit 1, Priory Road, Tonbridge, Kent, TN9 2AF, United Kingdom