

HEATHFIELD & CO

PRODUCT SPECIFICATION SHEET

CEILING LIGHT | KOA DOUBLE PENDANT

PENDANT

Material: Metal & Glass
Finish shown: Clear
Metalwork: Satin Brass
Code: PD-KOA0-SBRS-CLER-P02

SWITCHING & PLUG

Hardwired

WEIGHT

2.9 kg approx.

LAMPING

2 x G9 Lampholder - LED bulb recommended.

FIXING NOTE

It is the buyer's responsibility to ensure that suitable fixings are used.

WARRANTY

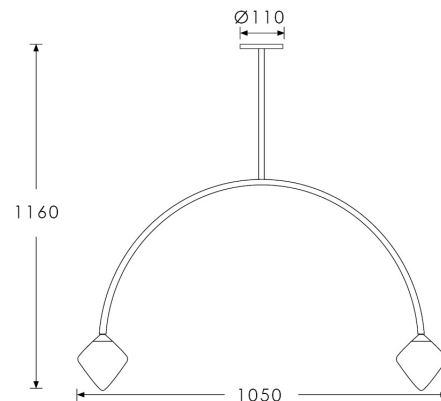
12 Months

FINISHING NOTE

Our carefully selected glass and metalwork components are all hand finished by skilled artisans and as such no two products are exactly the same - something that adds to the unique charm of this product.

CLEANING INSTRUCTIONS

The finishes on this luminaire only require regular cleaning with a soft dry duster. Abrasive or chemical cleaners may harm the finish and should not be used. Shade to be dusted with a clean dry cloth.



Dimensions in mm and approximate.
Custom drop lengths available.

H&CO

Decorative lighting
for beautiful spaces

www.heathfield.co.uk | + 44 (0) 1732 350450 | sales@heathfield.co.uk

Unit 1, Priory Road, Tonbridge, Kent, TN9 2AF, United Kingdom