

TABLE LAMP | ALBA

LAMP BASE

Material: Ceramic
Finish shown: Grey
Metalwork: Antique Brass
Code: TL-ALBA-ABRS-GREY

LAMPSHADE AS SHOWN

14" Roman Drum Steel Weave
Shade code: SH-14-RMDR
Shade lining: White PVC

FLEX

1.5 metres of Ivory twisted flex.

SWITCHING, PLUG & VOLTAGE

UL polarized Type A plug & inline on/off switch. 110-120V 50-60Hz.

WEIGHT

13.2lbs approx

LAMPING

1 x E26 Lampholder - 60W max. LED bulb recommended.

WARRANTY

12 months

FINISHING NOTE

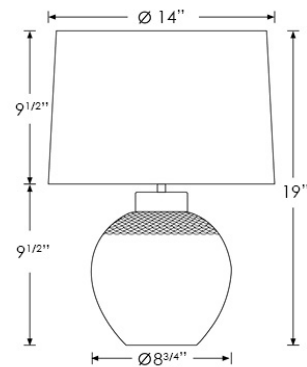
The ceramic glazes that we have used on this lamp will create differences from piece to piece - variations in colour, formation and detailing. As such, it is part of the charm that no two products are exactly the same.

CLEANING INSTRUCTIONS

The finishes on this luminaire only require regular cleaning with a soft dry duster. Abrasive or chemical cleaners may harm the finish and should not be used. Shade to be dusted with a clean dry cloth.

OUR U.S. COLLECTION

This product is wired using UL listed components and is fully compliant with UL regulations.



Dimensions in Inches and approximate

H&CO

Decorative lighting
for beautiful spaces

www.heathfield.co.uk | + 44 (0) 1732 350450 | sales@heathfield.co.uk

Unit 1, Priory Road, Tonbridge, Kent, TN9 2AF, United Kingdom