

## TABLE LAMP | ADORA TEAL

### LAMP BASE

Material: Glass  
Finish shown: Teal  
Metalwork: Antique Brass  
Code: TL-ADOR-ABRS-TEAL

### LAMPSHADE AS SHOWN

16" Flat Drum Ivory Satin  
Shade code: SH-16-FLDR  
Shade lining: White PVC

### FLEX

1.5 metres of Antique Gold twisted flex.

### SWITCHING, PLUG & VOLTAGE

UL polarized Type A plug & inline on/off switch. 110-120V 50-60Hz.

### WEIGHT

9.9lbs approx

### LAMPING

1 x E26 Lampholder - 60W max. LED bulb recommended.

### WARRANTY

12 months

### FINISHING NOTE

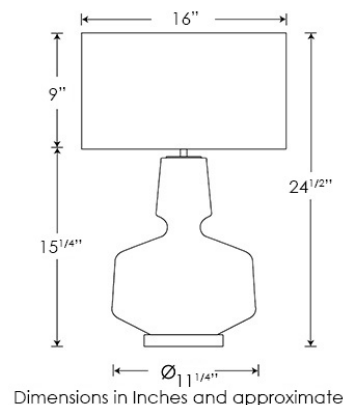
All our glasswork is hand blown and will vary from piece to piece - variations in form and proportion. Colour formation, pattern and finishing details are unique to each lamp and it is part of the charm that no two products are exactly the same.

### CLEANING INSTRUCTIONS

The finishes on this luminaire only require regular cleaning with a soft dry duster. Abrasive or chemical cleaners may harm the finish and should not be used. Shade to be dusted with a clean dry cloth.

### OUR U.S. COLLECTION

This product is wired using UL listed components and is fully compliant with UL regulations.



# H&CO

Decorative lighting  
for beautiful spaces

[www.heathfield.co.uk](http://www.heathfield.co.uk) | + 44 (0) 1732 350450 | [sales@heathfield.co.uk](mailto:sales@heathfield.co.uk)

Unit 1, Priory Road, Tonbridge, Kent, TN9 2AF, United Kingdom