

TABLE LAMP | ADORA ANTIQUE

LAMP BASE

Material: Glass
 Finish shown: Antique
 Metalwork: Antique Brass
 Code: TL-ADOR-ABRS-ANTI

LAMPSHADE AS SHOWN

16" Flat Drum Gilt Satin
 Shade code: SH-16-FLDR
 Shade lining: Prosecco PVC

FLEX

1.5 metres of Antique Gold twisted flex.

SWITCHING, PLUG & VOLTAGE

UL polarized Type A plug & inline on/off switch. 110-120V 50-60Hz.

WEIGHT

9.9lbs approx

LAMPING

1 x E26 Lampholder - 60W max. LED bulb recommended.

WARRANTY

12 months

FINISHING NOTE

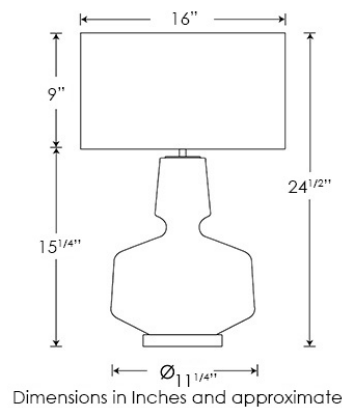
All our glasswork is hand blown and will vary from piece to piece - variations in form and proportion. Colour formation, pattern and finishing details are unique to each lamp and it is part of the charm that no two products are exactly the same.

CLEANING INSTRUCTIONS

The finishes on this luminaire only require regular cleaning with a soft dry duster. Abrasive or chemical cleaners may harm the finish and should not be used. Shade to be dusted with a clean dry cloth.

OUR U.S. COLLECTION

This product is wired using UL listed components and is fully compliant with UL regulations.



H&CO

Decorative lighting
 for beautiful spaces

www.heathfield.co.uk | + 44 (0) 1732 350450 | sales@heathfield.co.uk

Unit 1, Priory Road, Tonbridge, Kent, TN9 2AF, United Kingdom