

# HEATHFIELD & CO

## PRODUCT SPECIFICATION SHEET

### CEILING LIGHT | NIVALIS 4 LIGHT

#### PENDANT

Material: Metal & Glass  
Finish shown: White  
Metalwork: Satin Brass  
Code: PD-NIVA-SBRS-WHTE-P04

#### SWITCHING & PLUG

Hardwired

#### WEIGHT

4.6 kg approx.

#### LAMPING

4 x E27 Lampholder - 25W max.  
LED bulb recommended.

#### FIXING NOTE

It is the buyer's responsibility to ensure that suitable fixings are used.

#### WARRANTY

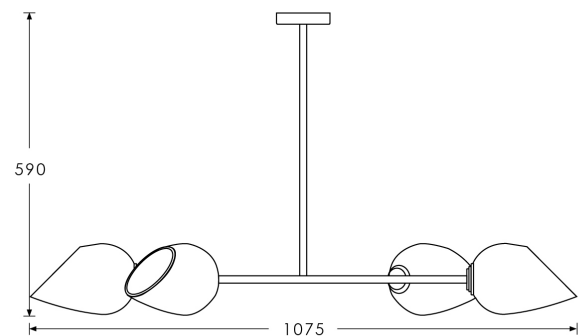
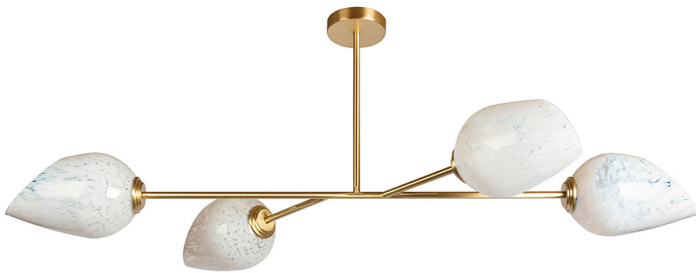
12 Months

#### FINISHING NOTE

Our carefully selected glass and metalwork components are all hand finished by skilled artisans and as such no two products are exactly the same - something that adds to the unique charm of this product.

#### CLEANING INSTRUCTIONS

The finishes on this luminaire only require regular cleaning with a soft dry duster. Abrasive or chemical cleaners may harm the finish and should not be used. Shade to be dusted with a clean dry cloth.



Dimensions in mm and approximate

# H&CO

Decorative lighting  
for beautiful spaces

[www.heathfield.co.uk](http://www.heathfield.co.uk) | +44 (0) 1732 350450 | [sales@heathfield.co.uk](mailto:sales@heathfield.co.uk)

Unit 1, Priory Road, Tonbridge, Kent, TN9 2AF, United Kingdom