

HEATHFIELD & CO

PRODUCT SPECIFICATION SHEET

TABLE LAMP | LAUREL

LAMP BASE

Material: Ceramic
Finish shown: Moss
Metalwork: Satin Brass
Code: TL-LAUR-SBRS-MOSS

LAMPSHADE AS SHOWN

14" Flat Drum Hemp Element
Shade code: SH-14-FLDR
Shade lining: White PVC

FLEX

1.5 metres of Ivory twisted flex.
Alternative colours can be specified
from our collection.

SWITCHING & PLUG

White 13 AMP UK plug & inline switch.
Alternative plug types available.

BASE WEIGHT

2.2 kg approx.

LAMPING

1 x E27 Lampholder - 60W max. LED bulb
recommended.

WARRANTY

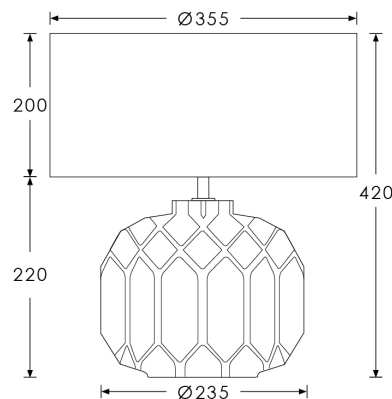
12 Months

FINISHING NOTE

The ceramic glazes that we have used on
this lamp will create differences from
piece to piece - variations in colour,
formation and detailing. As such, it is part
of the charm that no two products are
exactly the same.

CLEANING INSTRUCTIONS

The finishes on this luminaire only require
regular cleaning with a soft dry duster.
Abrasive or chemical cleaners may harm
the finish and should not be used. Shade
to be dusted with a clean dry cloth.



Dimensions in mm and approximate

H&CO

Decorative lighting
for beautiful spaces

www.heathfield.co.uk | + 44 (0) 1732 350450 | sales@heathfield.co.uk

Unit 1, Priory Road, Tonbridge, Kent, TN9 2AF, United Kingdom