

PENDANT | GISELLE SLATE

PENDANT

Material: Metal & Glass
 Finish shown: Slate
 Metalwork: Antique Brass
 Code: PD-GISE-ABRS-SLAT

SWITCHING, PLUG & VOLTAGE

Hardwired (no switch) 110-120V 50-60Hz

WEIGHT

12.3 lbs approx

LAMPING

4 x E26 Lampholder - 25W max. LED bulb recommended.

FIXING NOTE

It is the buyer's responsibility to ensure that suitable fixings are used.

WARRANTY

12 Months

FINISHING NOTE

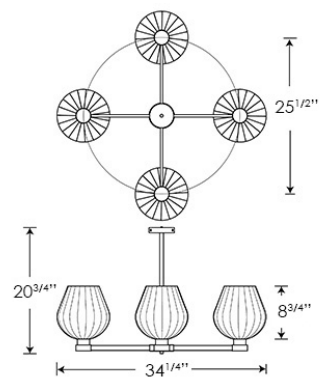
Our carefully selected glass and metalwork components are all hand finished by skilled artisans and as such no two products are exactly the same - something that adds to the unique charm of this product.

CLEANING INSTRUCTIONS

The finishes on this luminaire only require regular cleaning with a soft dry duster. Abrasive or chemical cleaners may harm the finish and should not be used. Shade to be dusted with a clean dry cloth.

OUR U.S. COLLECTION

This product is wired using UL listed components and is fully compliant with UL regulations.



Dimensions in Inches and approximate

H&CO

Decorative lighting
 for beautiful spaces

www.heathfield.co.uk | + 44 (0) 1732 350450 | sales@heathfield.co.uk

Unit 1, Priory Road, Tonbridge, Kent, TN9 2AF, United Kingdom