

# HEATHFIELD & CO

## PRODUCT SPECIFICATION SHEET

### Table Lamp | PHOEBE

#### LAMP BASE

Material: Alabaster  
Finish shown: Alabaster  
Metalwork: Antique Brass  
Code: TL-PHOE-ABRS-ALAB

#### LAMPSHADE AS SHOWN

10" Roman Drum Opal Metallic Linen  
Shade code: SH-10-RMDR  
Shade lining: Prosecco PVC

#### FLEX

1.5 metres of Pearl twisted flex. Alternative colours can be specified from our collection.

#### SWITCHING & PLUG

White 13 AMP UK plug & inline switch.  
Alternative plug types available.

#### BASE WEIGHT

4 kg approx.

#### LAMPING

1 x E27 Lampholder - 60W max. LED bulb recommended.

#### WARRANTY

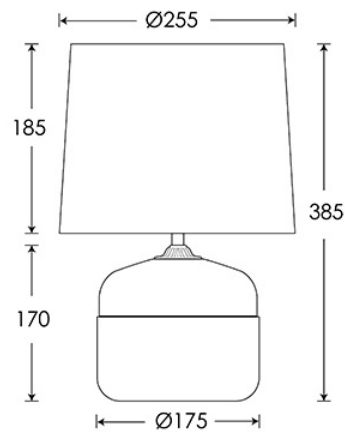
12 Months

#### FINISHING NOTE

Alabaster is a natural material with distinctly unique formations, markings and colouration. It is part of its charm that no two lamps are exactly the same.

#### CLEANING INSTRUCTIONS

The finishes on this luminaire only require regular cleaning with a soft dry duster. Abrasive or chemical cleaners may harm the finish and should not be used. Shade to be dusted with a clean dry cloth.



Dimensions in mm and approximate.

H&CO

Decorative lighting  
for beautiful spaces

[www.heathfield.co.uk](http://www.heathfield.co.uk) | + 44 (0) 1732 350450 | [sales@heathfield.co.uk](mailto:sales@heathfield.co.uk)

Unit 1, Priory Road, Tonbridge, Kent, TN9 2AF, United Kingdom