

# HEATHFIELD & CO

## PRODUCT SPECIFICATION SHEET

### Wall Light | YVES NICKEL

#### WALL LIGHT

Material: Metal  
Finish shown: Nickel  
Code: WL-YVES-PLNL

#### LAMPSHADE AS SHOWN

10" Crescent Gilt Satin  
Shade code: SH-10-CRES  
Shade lining: White PVC

#### SWITCHING & PLUG

Hardwired

#### WEIGHT

0.6 kg approx.

#### LAMPING

1 x E14 Lampholder - 25W max. LED bulb recommended.

#### FIXING NOTE

It is the buyer's responsibility to ensure that suitable fixings are used.

#### WARRANTY

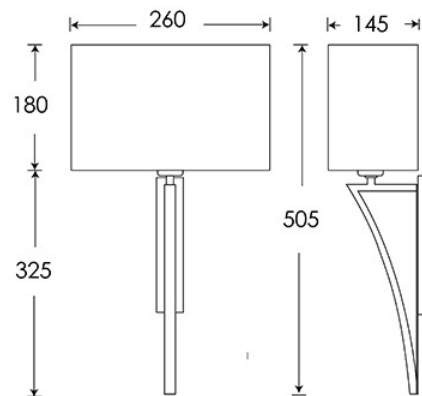
12 Months

#### FINISHING NOTE

All metalwork is handcrafted and may vary from piece to piece with slight variation in finish and detailing.

#### CLEANING INSTRUCTIONS

The finishes on this luminaire only require regular cleaning with a soft dry duster. Abrasive or chemical cleaners may harm the finish and should not be used. Shade to be dusted with a clean dry cloth.



Dimensions in mm and approximate.

H&CO

Decorative lighting  
for beautiful spaces

[www.heathfield.co.uk](http://www.heathfield.co.uk) | + 44 (0) 1732 350450 | [sales@heathfield.co.uk](mailto:sales@heathfield.co.uk)  
Unit 1, Priory Road, Tonbridge, Kent, TN9 2AF, United Kingdom

This specification is subject to our standard Terms & Conditions, a copy of which can be found at [heathfield.co.uk](http://heathfield.co.uk)  
© 2020 Heathfield & Co. All rights reserved.