

# HEATHFIELD & CO

## PRODUCT SPECIFICATION SHEET

### Wall Light | MEDINA ANTIQUE BRASS OPAL JADE

#### WALL LIGHT

Material: Metal & Glass  
Finish shown: Opal Jade  
Code: WL-MED3-ABRS-OPJD-OPJ

#### TASSEL

Complete with Opal Jade tassel

#### SWITCHING & PLUG

Hardwired

#### WEIGHT

1.9 kg approx.

#### LAMPING

1 x E27 Lampholder - 40W max. LED bulb recommended.

#### FIXING NOTE

It is the buyer's responsibility to ensure that suitable fixings are used.

#### WARRANTY

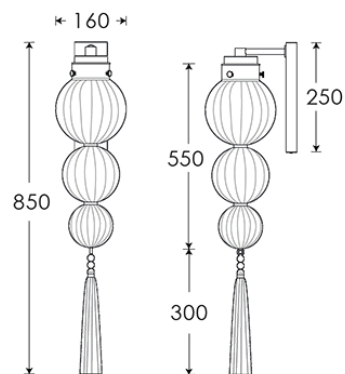
12 Months

#### FINISHING NOTE

All our glasswork is hand blown and will vary from piece to piece - variations in form and proportion. Colour formation, pattern and finishing details are unique to each lamp and it is part of the charm that no two products are exactly the same.

#### CLEANING INSTRUCTIONS

The finishes on this luminaire only require regular cleaning with a soft dry duster. Abrasive or chemical cleaners may harm the finish and should not be used. Shade to be dusted with a clean dry cloth.



Dimensions in mm and approximate

H&CO

Decorative lighting  
for beautiful spaces

[www.heathfield.co.uk](http://www.heathfield.co.uk) | +44 (0) 1732 350450 | [sales@heathfield.co.uk](mailto:sales@heathfield.co.uk)

Unit 1, Priory Road, Tonbridge, Kent, TN9 2AF, United Kingdom