

HEATHFIELD & CO

PRODUCT SPECIFICATION SHEET

Pendant | LEONI ANTIQUE BRASS OPAL JADE

PENDANT

Material: Glass
Finish shown: Opal Jade
Metalwork: Antique Brass
Code: PD-LEON-ABRS-OPJD

FLEX

1.5 metres of adjustable Clear PVC flex.
Alternative colours can be specified from our collection.

SWITCHING & PLUG

Hardwired

WEIGHT

1.9 kg approx.

LAMPING

1 x E27 Lampholder - 40W max. LED bulb recommended.

FIXING NOTE

It is the buyer's responsibility to ensure that suitable fixings are used.

WARRANTY

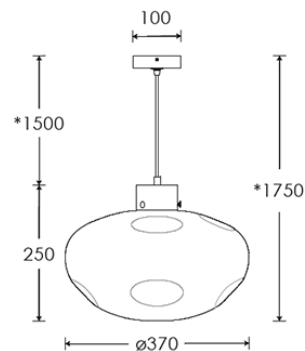
12 Months

FINISHING NOTE

All our glasswork is hand blown and will vary from piece to piece - variations in form and proportion. Colour formation, pattern and finishing details are unique to each lamp and it is part of the charm that no two products are exactly the same.

CLEANING INSTRUCTIONS

The finishes on this luminaire only require regular cleaning with a soft dry duster. Abrasive or chemical cleaners may harm the finish and should not be used. Shade to be dusted with a clean dry cloth.



Dimensions in mm and approximate
*Adjustable flex length

H&CO

Decorative lighting
for beautiful spaces

www.heathfield.co.uk | + 44 (0) 1732 350450 | sales@heathfield.co.uk

Unit 1, Priory Road, Tonbridge, Kent, TN9 2AF, United Kingdom