

HEATHFIELD & CO

PRODUCT SPECIFICATION SHEET

Pendant | DERWENT MEDIUM RECTANGLE

PENDANT

Material: Metal
Finish shown: Antique Brass
Code: PD-DERW-ABRS-0000-MRC

LAMPSHADE AS SHOWN

8" Drum Oyster Glaze Linen
Shade code: SH-08-TLDR-DMR
Shade lining: White PVC

FLEX

1.0 metre of Chocolate twisted flex.

SWITCHING & PLUG

Hardwired

WEIGHT

1.7 kg approx.

WARRANTY

12 Months

LAMPING

1 x E27 Lampholder - 40W max. LED bulb recommended.

FIXING NOTE

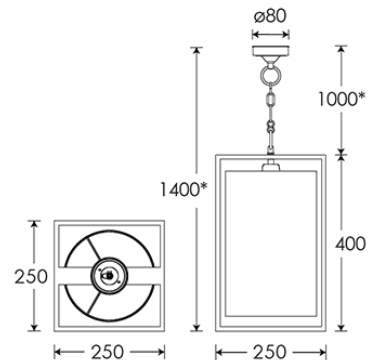
It is the buyer's responsibility to ensure that suitable fixings are used.

FINISHING NOTE

All metalwork is handcrafted and may vary from piece to piece with slight variation in finish and detailing.

CLEANING INSTRUCTIONS

The finishes on this luminaire only require regular cleaning with a soft dry duster. Abrasive or chemical cleaners may harm the finish and should not be used. Shade to be dusted with a clean dry cloth.



Dimensions in mm and approximate
*Adjustable flex and chain length

H&CO

Decorative lighting
for beautiful spaces

www.heathfield.co.uk | + 44 (0) 1732 350450 | sales@heathfield.co.uk
Unit 1, Priory Road, Tonbridge, Kent, TN9 2AF, United Kingdom